

# FIRE LINE AUTOMATIC 4 (590mm) AUTOMATIC BEV<sup>®</sup> BURNER

*Net Zero fireplace with the BEV Technology<sup>®</sup>*

## AUTOMATIC BEV<sup>®</sup> BURNER

The automatic burner with the patented BEV Technology<sup>®</sup> is the most advanced product in the industry ensuring the cleanest burning process without any smoke, smell or ash. The flame is produced by combusting ethanol vapours and has no direct contact with the liquid fuel.

## INNOVATIVE TOUCH CONTROL PANEL

The touch control panel in the FLA4 fireplace combines modernity with elegance, being concealed behind a flap. With it, you can easily adjust the fireplace settings, check fuel levels, or set a shut-off timer. Additionally, the child lock feature ensures safety for the youngest users.

## REMOTE CONTROL

Control the fire with the included remote, app on your smartphone or home automation system.



## AUTOMATIC REFILLING SYSTEM

The automatic pump communicates with the device, delivering the necessary amount of fuel. There is no risk of overfilling the tank or spilling the fuel.

## OPTIONAL DECORATIVE TRAY

Decorative tray with ceramic logs or white stones installed on the burner, behind the fireline.



## NEW BURNER DESIGN

The FLA4 design features a sleek black burner with a hidden filament and a holder-free glass panel that seamlessly slides into place. This contemporary update offers both aesthetic appeal and enhanced functionality.



## BEST BUILD QUALITY

The product passed extensive tests carried out by the leading certification institutes. It is manufactured according to UL standards and is O-TL certified, meeting the most demanding safety and quality requirements.

## Fire Line Automatic 4 (590mm)

(BEV Technology®)

Fuel tank capacity	3.1 L
Maximum burn time	5 hours
Maximum heat output	3.1 kW
Minimum room cubature	31 m <sup>3</sup>
Flame height regulation	6 stages
Weight	19.9 kg
Fuel type	bioethanol 95 - 96,6%
Flue	not required
Air change rate	1 space volume per hour
Power supply	230 V
Finish	black powder coating
Materials	steel, galvanized steel, toughened glass
Application	for indoor use only

### CONTROL OPTIONS



included



included



optional

### 'PLANIKA FLA4' APP

Control the fire with your smartphone!



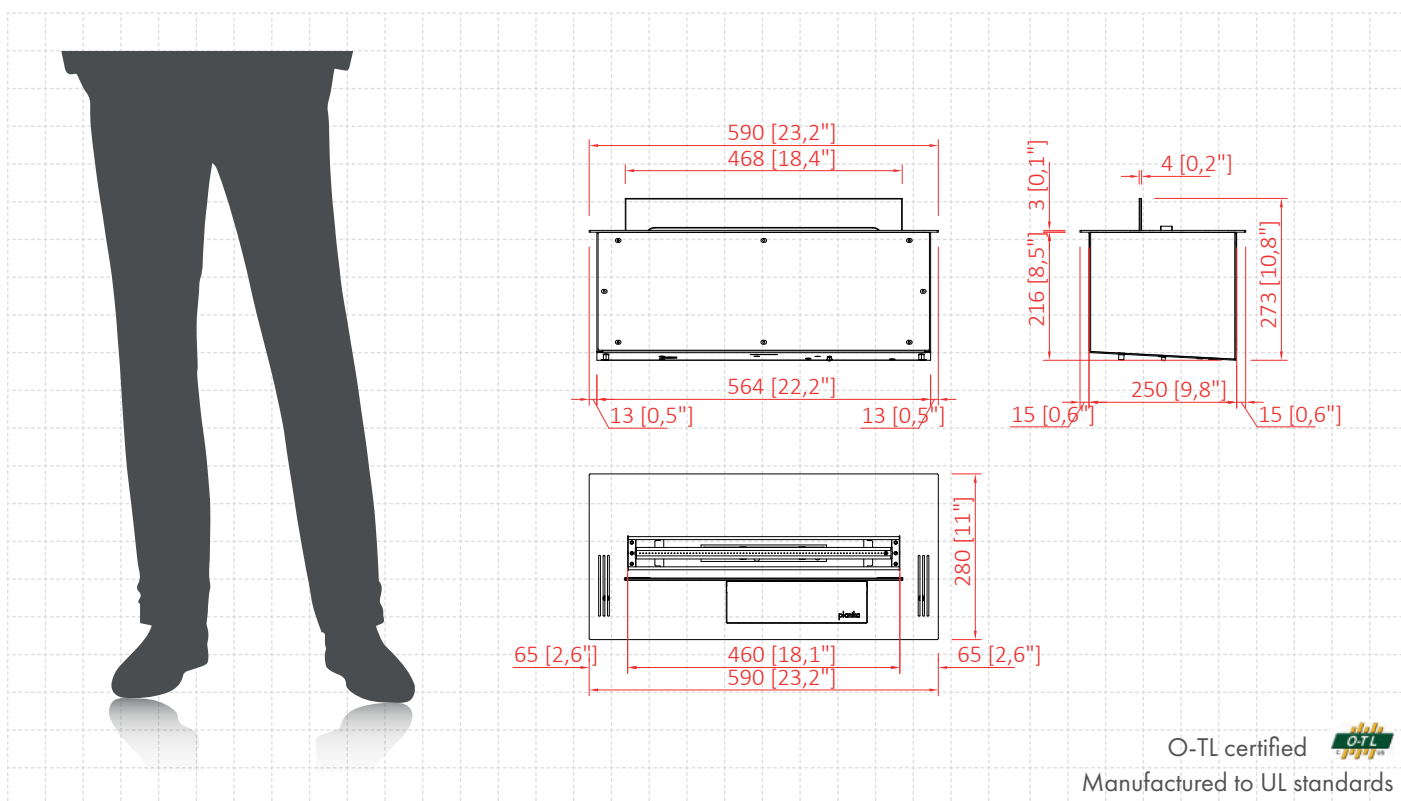
FREESTANDING

ROOM DIVIDER

TUNNEL

ISLAND

Freestanding, Room Divider, Tunnel and Island housings require FLA4 with Frame & Glass Panels



O-TL certified Manufactured to UL standards

All product specifications and data are subject to change without notice and are believed to be accurate as of the date hereof. Planika Sp. z o.o., its affiliates, agents, and employees, and all persons acting on its or their behalf (collectively, "Planika Sp. z o.o."), disclaim any and all liability for any errors, inaccuracies or incompleteness contained in any document or in any other disclosure relating to any product. To the maximum extent permitted by applicable law, Planika Sp. z o.o. disclaims any and all liability arising out of the application or use of any product. This document does not expand or otherwise modify Planika Sp. z o.o.'s terms and conditions of purchase, including but not limited to the warranty expressed therein. No license, express or implied, by estoppel or otherwise, to any intellectual property rights is granted by this document or by any conduct of Planika Sp. z o.o.. Customers using or selling Planika Sp. z o.o.'s products not expressly indicated for use in such applications do so entirely at their own risk and agree to fully indemnify Planika Sp. z o.o. for any damages arising or resulting from such use or sale. The images are indicative only.