

# FORMA 1800 THREE-SIDED

## WITH FLA3+ 1490 AUTOMATIC ETHANOL BURNER

BEV Technology®



### BEST BUILD QUALITY

The product passed extensive tests carried out by the leading certification institutes. It is manufactured according to UL standards and is O-TL certified, meeting the most demanding safety and quality requirements.

### THREE-SIDED FIREPLACE

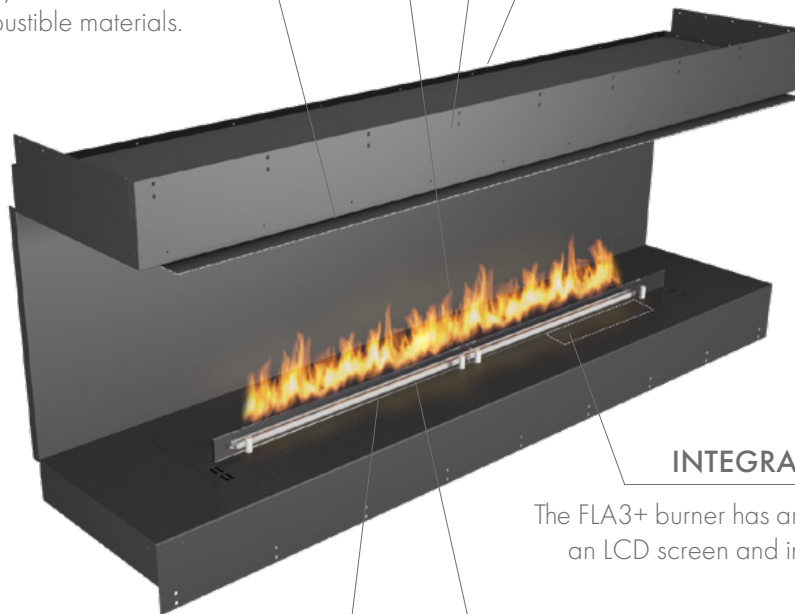
The three-sided fireplace brings a true panoramic fire. Enjoy the widest flame from three different sides.

### PROTECTIVE DEFLECTOR

With the attached deflector you can cover the fireplace housing with combustible materials.

### TRUE ZERO CLEARANCE

The feature that allows you install the fireplace in a housing construction made of combustible materials.



### INTEGRATED CONTROL PANEL

The FLA3+ burner has an intuitive control panel with an LCD screen and inlet for automatic refuelling.

### REMOTE CONTROL OPTIONS

Control the fire with the included remote, app on your smartphone or home automation system.



### AUTOMATIC FLA3+ BURNER

The automatic burner with the patented BEV Technology® is the most advanced product in the industry ensuring the cleanest burning process without any smoke, smell or ash. The flame is produced by combusting ethanol vapors and has no direct contact with the liquid fuel.

### TECHNICAL GLASS PANEL

The dedicated toughened glass plate covers the flame making it stable and even.

# Forma 1800 Three-Sided

Burner model	FLA3+ 1490 (BEV Technology®)
Fuel tank capacity	26.8 L
Maximum burn time	35 hours
Maximum heat output	13.0 kW
Minimum room cubature	130 m <sup>3</sup>
Flame height regulation	6 stages
Weight	113.4 kg
Fuel type	bioethanol 86 - 96,6%
Flue	not required
Air change rate	1 space volume per hour
Power supply	230 V
Finish	black powder coating
Materials	steel, galvanized steel, toughened glass
Application	for indoor use only

## CONTROL OPTIONS



included



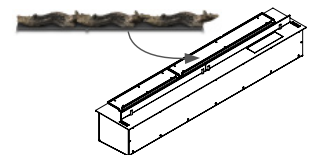
included



optional

## 'PLANIKA N-CONTROL' APP

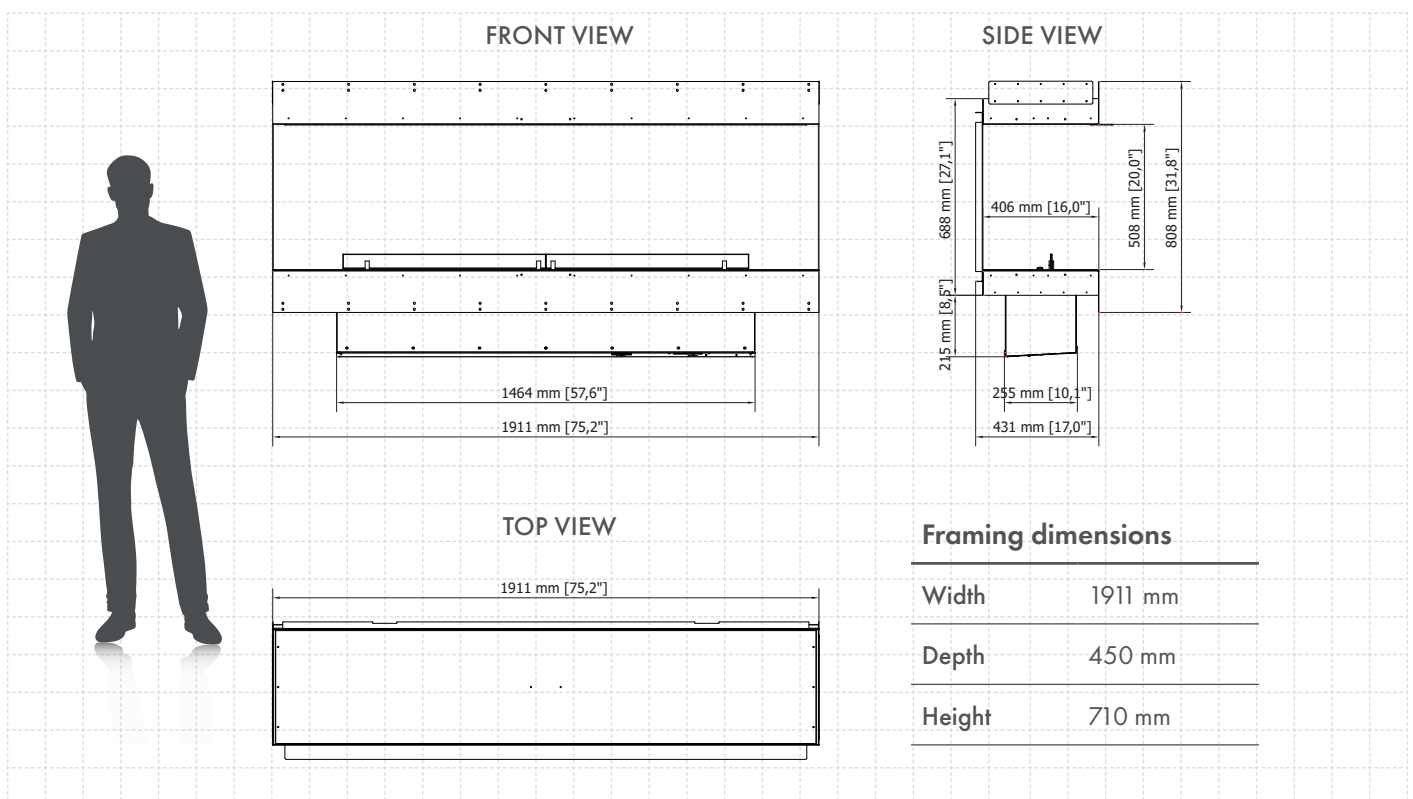
Control the fire with your smartphone!



optional tray with 3 ceramic logs or white stones  
(installed on the top of the burner, behind the fire line)

O-TL certified 

Manufactured to UL standards



All product specifications and data are subject to change without notice and are believed to be accurate as of the date hereof. Planika Sp. z o.o., its affiliates, agents, and employees, and all persons acting on its or their behalf (collectively, "Planika Sp. z o.o."), disclaim any and all liability for any errors, inaccuracies or incompleteness contained in any document or in any other disclosure relating to any product. To the maximum extent permitted by applicable law, Planika Sp. z o.o. disclaims any and all liability arising out of the application or use of any product. This document does not expand or otherwise modify Planika Sp. z o.o.'s terms and conditions of purchase, including but not limited to the warranty expressed therein. No license, express or implied, by estoppel or otherwise, to any intellectual property rights is granted by this document or by any conduct of Planika Sp. z o.o.. Customers using or selling Planika Sp. z o.o.'s products not expressly indicated for use in such applications do so entirely at their own risk and agree to fully indemnify Planika Sp. z o.o. for any damages arising or resulting from such use or sale. The images are indicative only.

# FORMA 1800 THREE-SIDED WITH FLA3 1490 AUTOMATIC ETHANOL BURNER

BEV Technology®



## BEST BUILD QUALITY

The product passed extensive tests carried out by the leading certification institutes. It is manufactured according to UL standards and is O-TL certified, meeting the most demanding safety and quality requirements.

## THREE-SIDED FIREPLACE

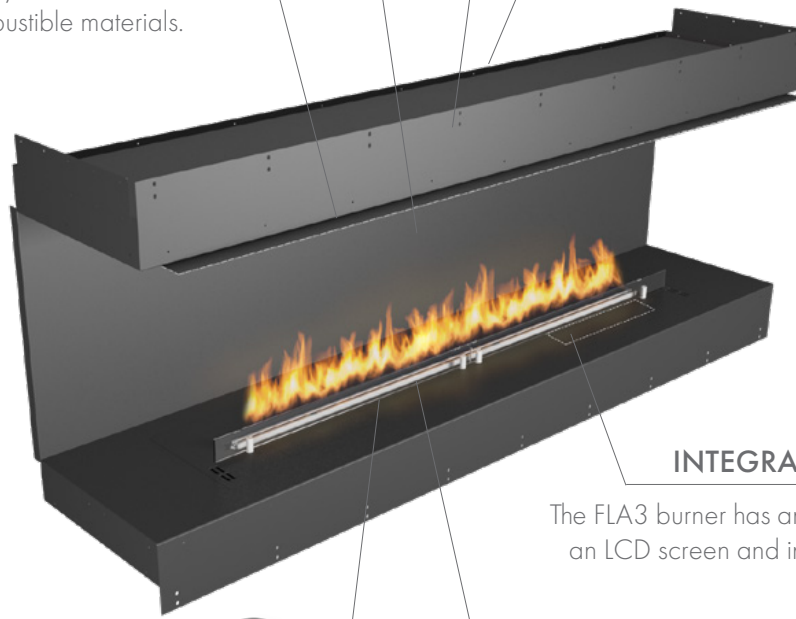
The three-sided fireplace brings a true panoramic fire. Enjoy the widest flame from three different sides.

## PROTECTIVE DEFLECTOR

With the attached deflector you can cover the fireplace housing with combustible materials.

## TRUE ZERO CLEARANCE

The feature that allows you to install the fireplace in a housing construction made of combustible materials.



## INTEGRATED CONTROL PANEL

The FLA3 burner has an intuitive control panel with an LCD screen and inlet for automatic refuelling.

## AUTOMATIC FLA3 BURNER

The automatic burner with the patented BEV Technology® is the most advanced product in the industry ensuring the cleanest burning process without any smoke, smell or ash. The flame is produced by combusting ethanol vapors and has no direct contact with the liquid fuel.

## REMOTE CONTROL OPTIONS

Control the fire with the included remote, app on your smartphone or home automation system.



## TECHNICAL GLASS PANEL

The dedicated toughened glass plate covers the flame making it stable and even.

# Forma 1800 Three-Sided

Burner model	FLA3 1490 (BEV Technology®)
Fuel tank capacity	8.6 L
Maximum burn time	11 hours
Maximum heat output	13.0 kW
Minimum room cubature	130 m <sup>3</sup>
Flame height regulation	6 stages
Weight	100.4 kg
Fuel type	bioethanol 86 - 96,6%
Flue	not required
Air change rate	1 space volume per hour
Power supply	230 V
Finish	black powder coating
Materials	steel, galvanized steel, toughened glass
Application	for indoor use only

## CONTROL OPTIONS



included



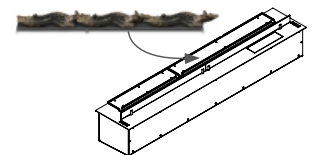
included



optional

## 'PLANIKA N-CONTROL' APP

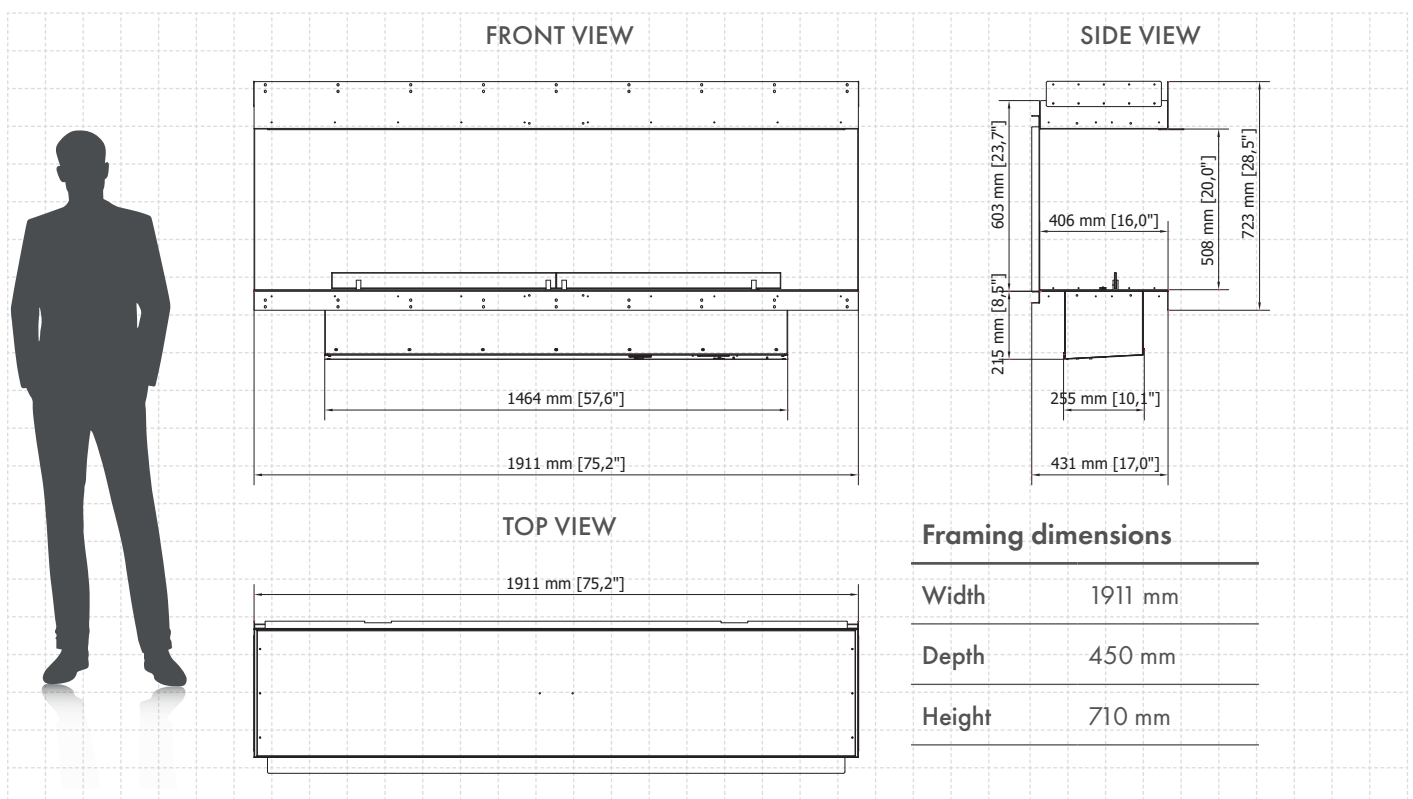
Control the fire with your smartphone!



optional tray with 3 ceramic logs or white stones  
(installed on the top of the burner, behind the fire line)

O-TL certified 

Manufactured to UL standards



All product specifications and data are subject to change without notice and are believed to be accurate as of the date hereof. Planika Sp. z o.o., its affiliates, agents, and employees, and all persons acting on its or their behalf (collectively, "Planika Sp. z o.o."), disclaim any and all liability for any errors, inaccuracies or incompleteness contained in any document or in any other disclosure relating to any product. To the maximum extent permitted by applicable law, Planika Sp. z o.o. disclaims any and all liability arising out of the application or use of any product. This document does not expand or otherwise modify Planika Sp. z o.o.'s terms and conditions of purchase, including but not limited to the warranty expressed therein. No license, express or implied, by estoppel or otherwise, to any intellectual property rights is granted by this document or by any conduct of Planika Sp. z o.o.. Customers using or selling Planika Sp. z o.o.'s products not expressly indicated for use in such applications do so entirely at their own risk and agree to fully indemnify Planika Sp. z o.o. for any damages arising or resulting from such use or sale. The images are indicative only.